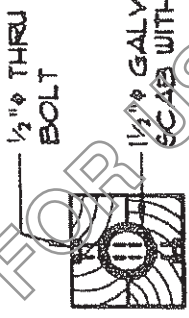


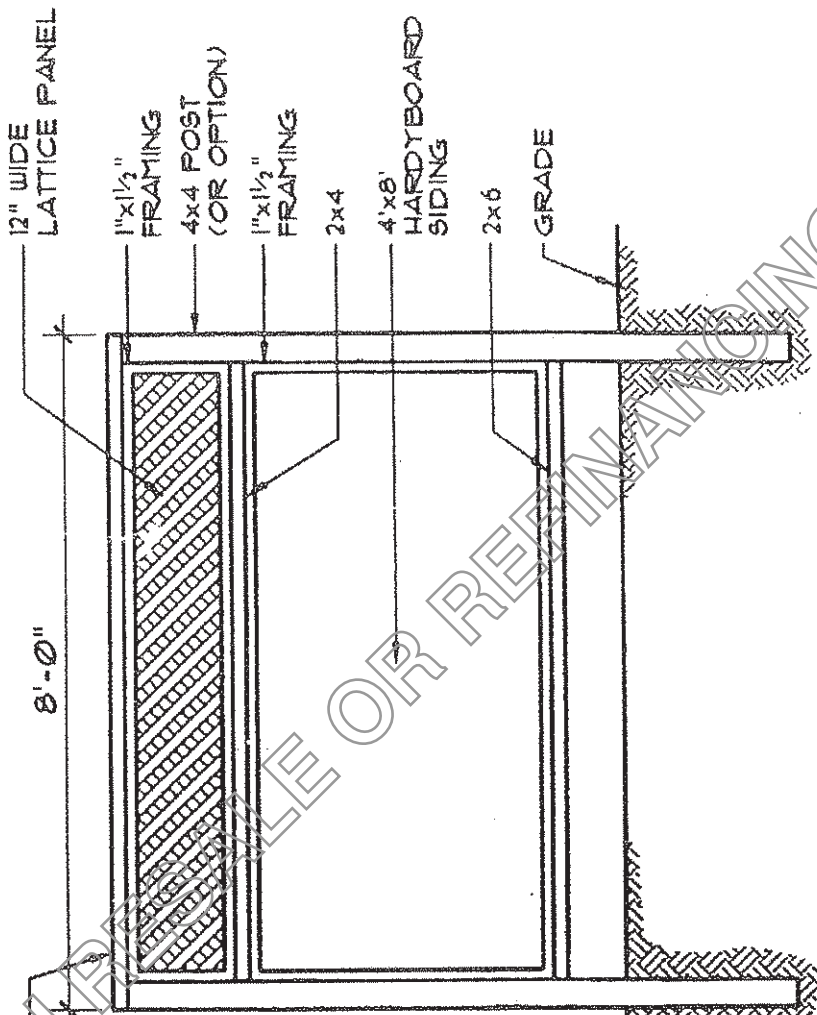


POST DETAIL (ISOMETRIC)
SCALE: N.T.S.

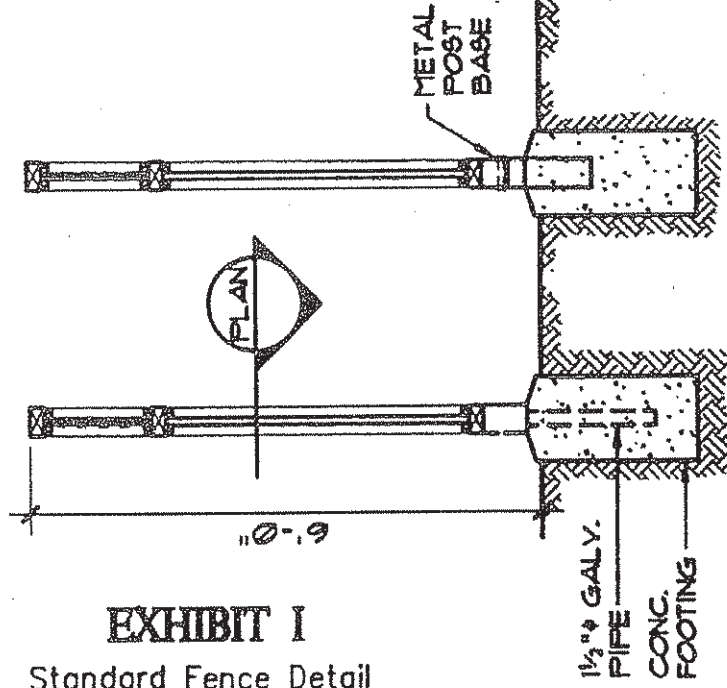


PLAN OF POST
SCALE: N.T.S.

1/2" THRU BOLT
1 1/2" GALV. PIPE
SCAB WITH 2-2x4



ELEVATION



SECTIONS

(OPTION 1) GALV. PIPE POST
(OPTION 2) METAL POST BASE

EXHIBIT I
Standard Fence Detail

NOT FOR REUSE IN PAPER OR REMAINING